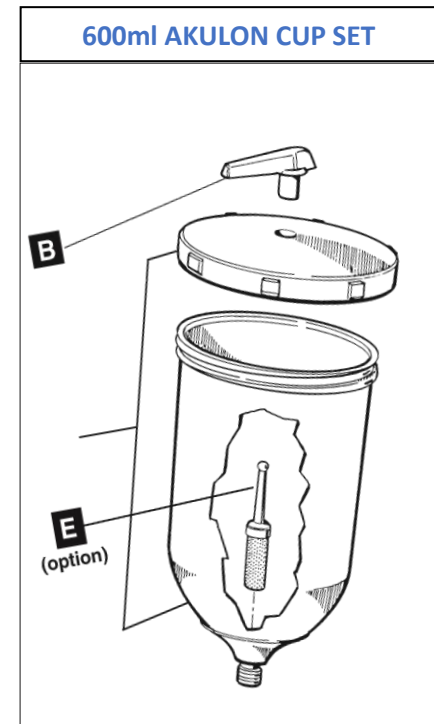
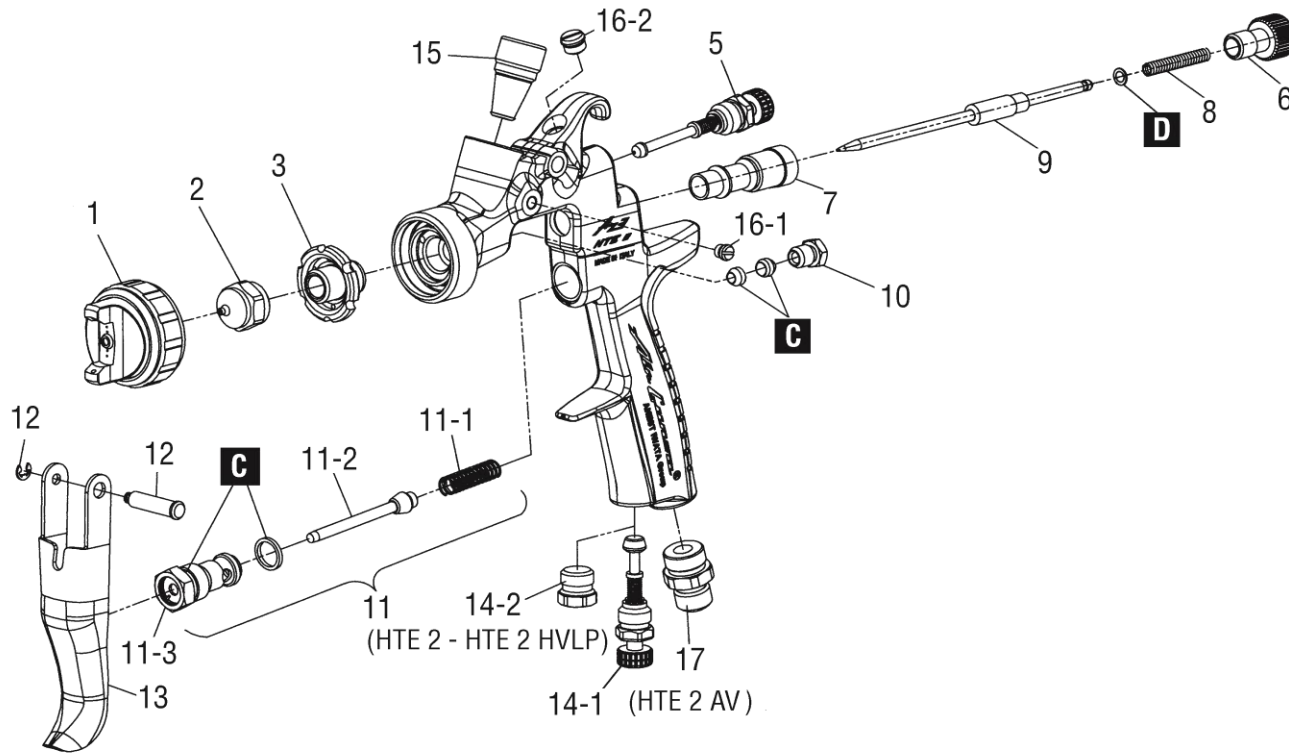


AZ3 HTE-2



ANEST IWATA

ANEST IWATA do Brasil Comercial Ltda.
 Rua Benedicta Perino da Silva, 45, Res. Flora, Limeira - SP
 Tel. +55 19 3442-1123/3441-6920
 contato@anest-iwata.net.br
 www.anest-iwata.net.br

AZ3 HTE-2

REF.	AZ3 HTE-2	Ø 1.3MM	Ø 1.5MM	Ø 1.8MM
2+9	NOZZLE NEEDLE SET	W2010133600	W2010133700	W2010133800
1	AIR CAP SET	W2CAP80AG15		W2CAP80AG18

REF.	CODE	DESCRIPTION	QTY.
3	W2010140200	NOZZLE HOLDER	
5	93842601	PATTERN ADJUSTMENT SET	for AZ3 HTE2
5	W2013030100	PATTERN ADJUSTMENT SET	only for AZ3
6	W2010141000	FLUID NEEDLE ADJ. KNOB	
7	W2010140900	FLUID NEEDLE GUIDE	
8	W2010140800	FLUID NEEDLE SPRING	
10	W2010140600	NEEDLE PACKING NUT	
11	W2010120100	AIR VALVE SET	
11-1	W2010141700	AIR VALVE SPRING	
11-2	W2010130600	AIR VALVE	
11-3	W2010130500	AIR VALVE SEAT	
12	W2COM4001	TRIGGER STUD	
13	W2COM6051	TRIGGER	
14-1	93845531	AIR ADJUSTMENT SET	HTE 2 AV
14-2	93625370	PLUG	HTE 2/HTE 2 HVLP
15	W2013040100	THREADED BUSHING	
16-1	W2COM5004	SCREW	
16-2	W2COM6050	PLUG	
17	W2COM5000	AIR NIPPLE	
C	W2KIT56	PACKING SET	3 pçs./1 pct
D	W2KIT33	SLIDE RING KIT	10 pçs./1 pct
	W2503500100	SPECIAL WRENCH	

REF.	CODE	DESCRIPTION	QTY.
18	W0012820100	600ml AKULON CUP SET	
B	W2KIT07	NON DRIP SET	5 pcs./1 pct
E	W2KIT06	PAINT FILTER SET - 50 Mesh	5 pcs./1 pct
	93505910	UNIVERSAL SPANNER	

